

PRODUCT TECHNICAL SHEET

Collection : **MEDICO**

Ref. : **4201.--.10**

Mélangeur mural, arrêts incorporés, bec fixe

Wandmengkraan, afsluiters inbegrepen, vaste uitloop

Wall-mounted mixer, built-in valves, fixed spout

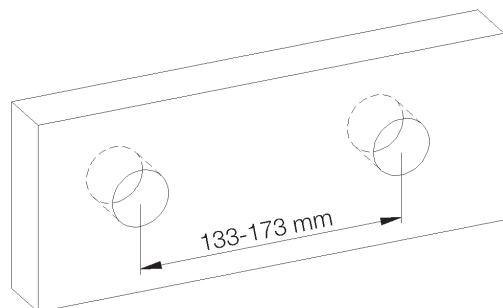
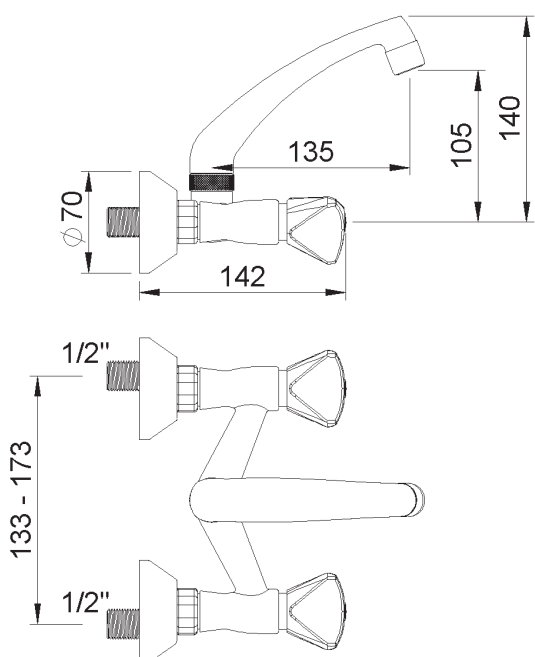
Picture

Product details



Internal mechanism : 1/3 turn compression valve

Technical drawing



RAO.V01